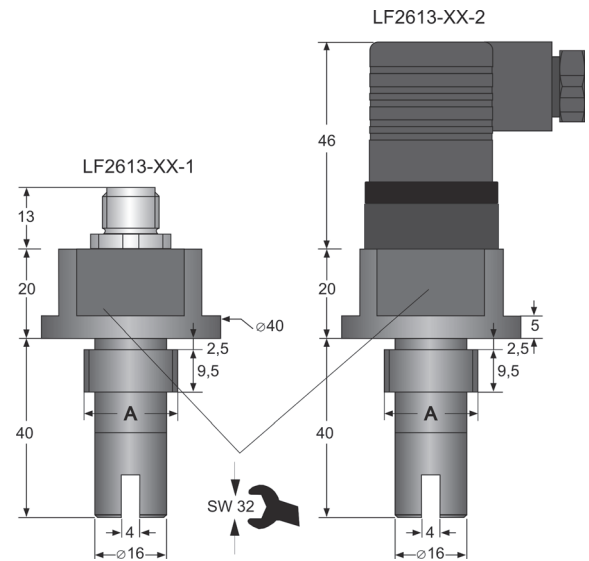


Conductivity Cell LF2613

Dimensions



Characteristics

- 2-electrode conductive flow cell for drinking water
- Measuring range 0..100 µS/cm up to 0..2 mS/cm

Technical data

Cell constant	: C = 0.9 ± 3.5 %
Operating temperature	: 0..60 °C
Process pressure	: max. 16 bar at 22 °C
Process material	: Graphite electrodes, PVC-U acc. to DIN8061/8062
Electrical connection	: 4 pole angle entry plug EN 175301-803/A, IP65 or 8 pole round connector plug M12x1, IP67
-Material	: brass nickel plated
Temperature measurement	: integrated Pt1000 Sensor DIN IEC751, class A

Ordering code

LF2613 - C0.9 - 1. - 2. - 3.

1. Process connection (A)	
G ½ A	cylindrical thread
R ½	conical thread
G ¾ A	cylindrical thread
R ¾	conical thread
2. Electrical connection	
1	8 pole round connector
2	4 pole angle entry plug
3. Options	
00	without option
03	8 pole round connector plug SS-type

Connection diagram see page Fehler: Referenz nicht gefunden

Additional accessories see page Fehler: Referenz nicht gefunden